

LAZER

HIGH PERFORMANCE LIGHTING

ST6 Evolution



A new addition to the ST range, the ST6 Evolution delivers outstanding levels of illumination from a unit measuring 284mm in length. The size of the unit makes it ideal for road and off-road customers looking for significantly increased visibility at night, but where some constraints on the footprint of the mounting location still exist. Fully road legal, the 6 LED unit achieves 1 lux at 340m, but thanks to a low reference mark, will not be constrained in terms of the potential number of lamps installed which can be an issue with some higher reference units.



HIGH PERFORMANCE LED DRIVING LAMPS

LAZER

HIGH PERFORMANCE LIGHTING

ST6 EVOLUTION



- 6x high density 11W LEDs (premium 'bin')
- Seamless, low profile design facilitates installation
- Dynamic drive modulation optimises light output to maximise LED lifetime
- Ultra-reflective optics deliver 'Drive' beam pattern
- E-coat pre-treatment provides maximum corrosion resistance



TECHNICAL SPECIFICATIONS

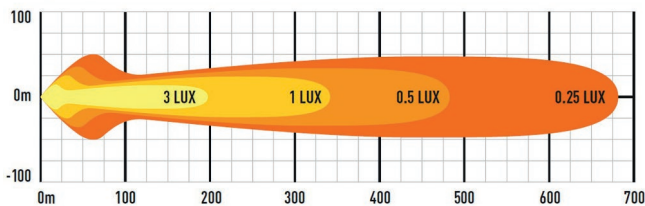


E-MARK REF	10
VOLTAGE RANGE	9V - 32V
RAW LUMENS	6204
BEAM PATTERN	Drive
BEAM DISTANCE (0.25LX)	680m
# HIGH POWER LEDS	6
POWER CONSUMPTION	70 Watts
CURRENT DRAW [†]	4.9 Amps
LED LIFE	50,000 Hrs*
WEIGHT	912g

* LED Manufacturers Specifications †At 14.4 Volts

ST6

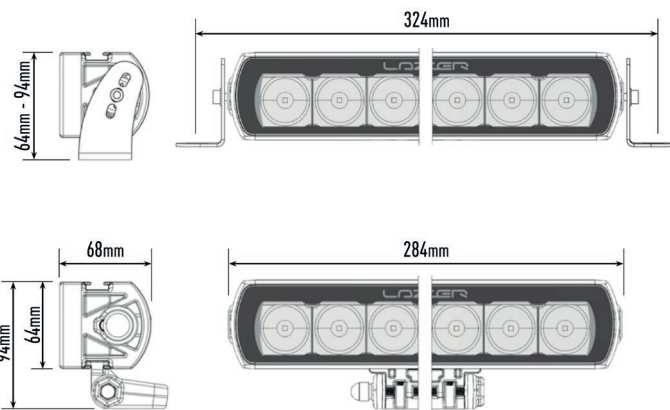
GENERATED FROM BSI LAMP PHOTOMETRIC TEST DATA: ON ROAD MEASUREMENT DATA



MOUNTING OPTIONS:



(Side Bracket kit sold separately)



LAZER LAMPS LTD

Units 1+2, Harlow Mill Business Centre, Riverway, Harlow, Essex. CM20 2FD. UK

Tel: +44(0)1992 677374

Email: sales@lazerlamps.com

www.lazerlamps.com

LAZER

HIGH PERFORMANCE LIGHTING

